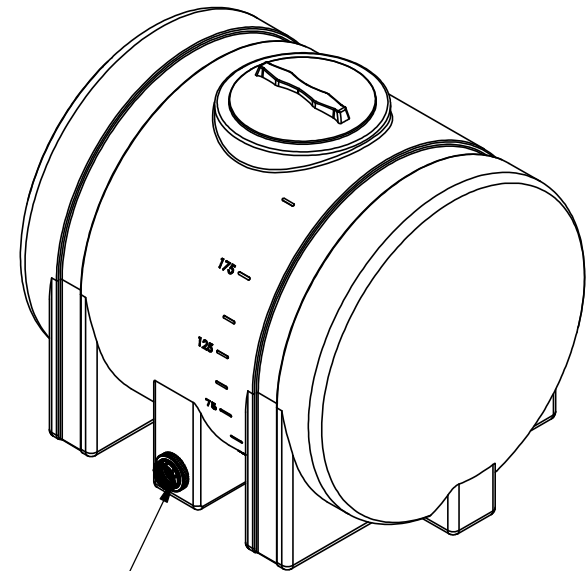
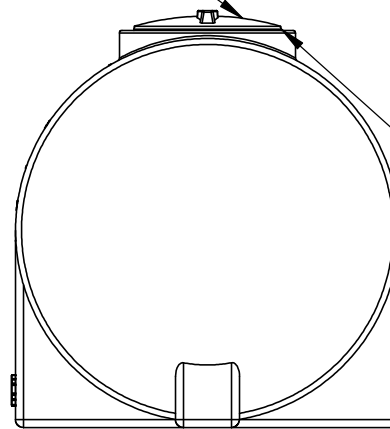


12" Closed Non-vented Lid  
#970327



2" Bulkhead PP Fitting  
#970211

12" Lid Ring with Gasket  
#970328

200 Gal Legged Tank  
w/ Side Fitting &  
Gasketed Ring & Lid



1390 Neubrecht Road  
Lima, Ohio 45801

STOCK NO.  
**23650, 23652**

REV  
**A**

DO NOT SCALE DRAWING

WEIGHT: 68 lbs.

DIMENSIONS ARE IN INCHES TOLERANCE: ± 1/4"		NAME	DATE
MATERIAL	LLDPE - FDA resin	DRAWN	NJV 4/30/24
CAPACITY	200 Gal	APPROVED	
GRADUATIONS	25 Gal	REVISIONS	
NOMINAL WALL THICKNESS	1/4"	COMMENTS: Natural, Black UV Stabilized	

**PROPRIETARY AND CONFIDENTIAL**

THE INFORMATION CONTAINED IN THIS DRAWING IS THE SOLE PROPERTY OF TAMCO. ANY REPRODUCTION IN PART OR AS A WHOLE WITHOUT THE WRITTEN PERMISSION OF TAMCO IS PROHIBITED.

MAX. OPERATING TEMP. 140°F  
INTERMITTENT SERVICE TO 160°F  
SEE CHEMICAL RESISTANCE  
CHART FOR COMPATIBILITY